



in.p3



Waterproof protection, docking, connectivity
& remote control for iPod on a spa!

Owner's manual

Control your iPod from your spa keypad
Seamless integration of your iPod to the waterproof audio
and control systems of your spa!



Aenware
by gecko

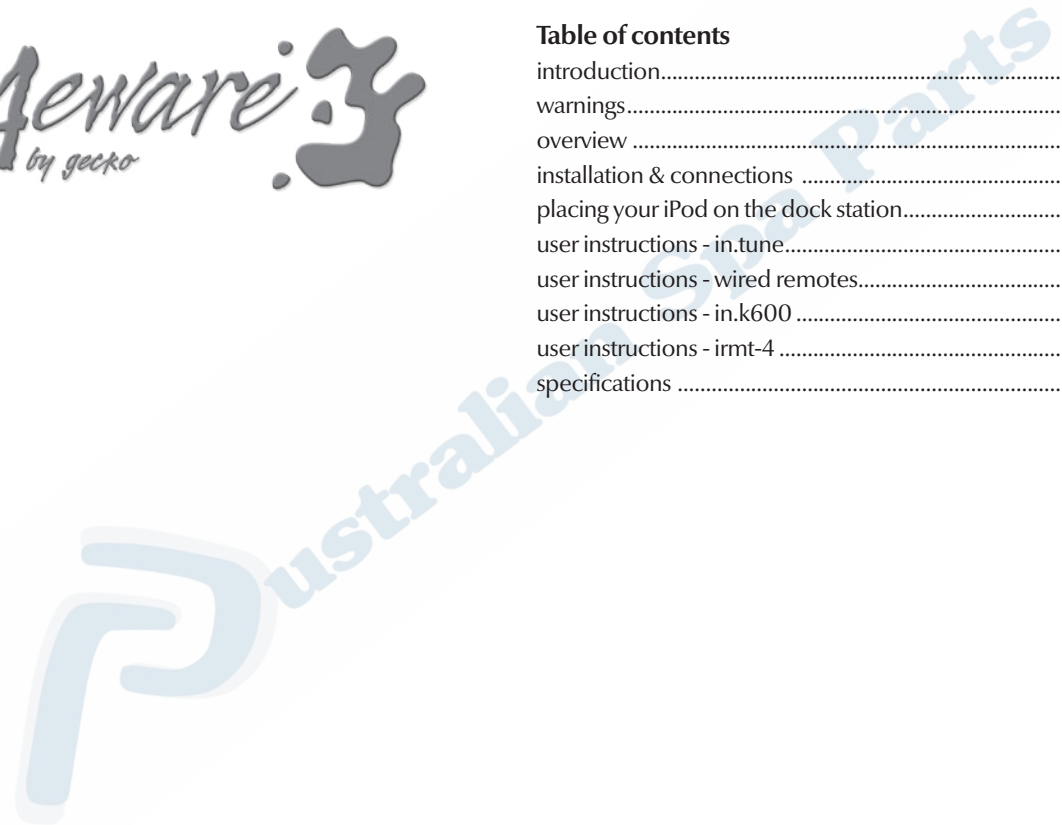




Aeware 3
by gecko

Table of contents

introduction..... 5
warnings..... 6
overview 8
installation & connections 9
placing your iPod on the dock station..... 12
user instructions - in.tune..... 13
user instructions - wired remotes..... 16
user instructions - in.k600 18
user instructions - irmt-4 22
specifications 23





 Australian Spa Parts



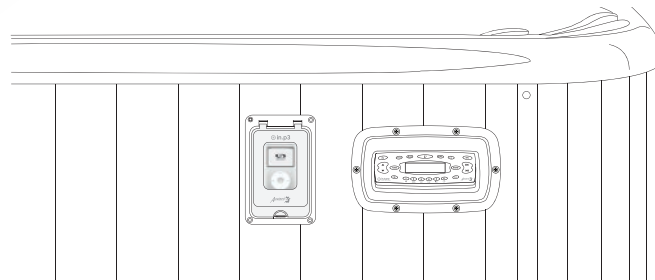
in.p3

Inner waterproof protection, docking, connectivity and remote control for iPod on a spa

The perfect solution to safely integrate your iPod to the waterproof audio system of your spa and let you remotely control the music from its in.k600 multi-function keypad, dedicated wired remotes like in.k155 or in.k455, irmt-4 wireless remote or directly from the faceplate keys of your in.tune waterproof receiver/cd player.

In.p3 is a waterproof enclosure installed on a spa side panel that provides inner protection for your iPod*.

In.p3 performs a triple function. It docks, connects and enables remote control of the iPod.



* See page 8 for complete compatibility list.

**WARNINGS:**

Important safety instructions

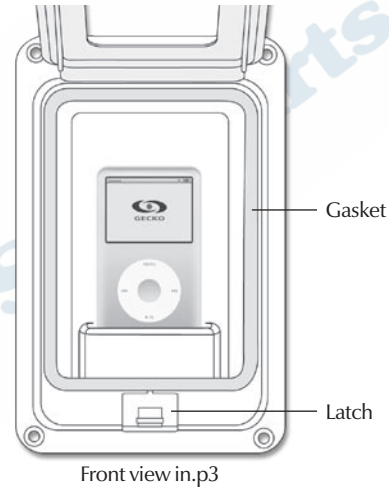
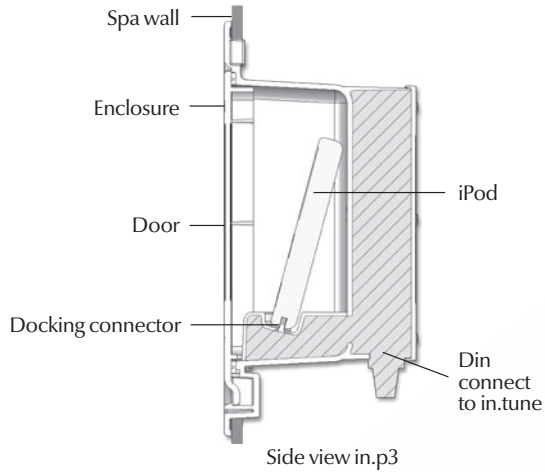
FAILURE TO COMPLY WITH THE FOLLOWING WARNINGS MAY SIGNIFICANTLY SHORTEN PRODUCT'S LIFE, AND LEAD TO FAILURES.

- The PRODUCT (including cables) cannot be modified or altered in any way without prior written approval from the manufacturer. Such alterations or modifications will void warranty and relieve Gecko Alliance Group from any liability.
- Use of this PRODUCT outside of its technical specification will void the warranty and Gecko Alliance Group liability.
- The PRODUCT should be serviced by qualified personnel only. There are no user serviceable parts inside.
- Always install the PRODUCT according to the instructions provided.
- This PRODUCT must ONLY be used with Portable Battery Powered iPod device.
- This PRODUCT must always be connected to an audio system protected by an approved ground-fault circuit interrupter (GFCI) or residual current detector (RCD.) Always check local electrical codes for approved GFCI and RCD types.
- This PRODUCT must be installed in a location that will force the spa user to exit the spa to use this product.
- Always keep the door closed between connection or disconnection of the iPod device.
- If the PRODUCT is physically damaged, the user must not use the PRODUCT. Professional servicing is required.
- Do not let water pour on the docking connector while connecting or disconnecting the iPod device.
- Never immerse the PRODUCT.
- The PRODUCT is certified to North American UL and CSA Standards only. Do not use the PRODUCT in any other countries or territories.
- This control is certified as a component only. The finished product which will incorporate this control should be certified by the proper agency as a finished product. In no circumstances should the fact that the control is certified as component be considered sufficient for the finished product to comply with certification requirements. The manufacturer is solely responsible for ensuring that the finished product complies with all applicable laws and regulations.

**WARNINGS:**

Important safety instructions

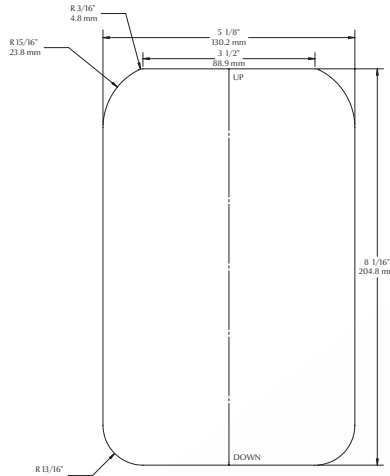
- This PRODUCT must be connected only to suitable audio system approved by Gecko Alliance Group.
- The low-voltage cables of this PRODUCT should be routed separately from high-voltage wires/cables and accessories.
- By nature, electronic devices are sensitive to Electromagnetic Interference (EMI). This PRODUCT and its cables should be located away from high voltage wire/cable and accessories (such as Ozone Generator, Pump and the like).
- This control should always be installed with the proper orientation as per the specifications provided by Gecko Alliance Group.
- The PRODUCT is made of polymeric material. The PRODUCT must not be exposed to chemical substance such as (but not limited to) oils, greases, solvents, rust inhibitors, etc. For example, WD-40 and Loctite are not considered compatible.
- Beware, the application of some commonly used Cleaning Products that contain Ammoniac, Alcohols or Sodium hypochlorite could damage the PRODUCT, due to a negative chemical reaction between these ingredients and its plastic parts. Any other materials which may come in contact with the PRODUCT must be carefully evaluated under end use conditions for compatibility.
- This PRODUCT should be disposed of in accordance with the local waste disposal legislation in force.
- The iPod battery must be charged at least at a minimum battery charge level in order to be detected by the in.p3 docking station. If the battery is fully discharged, the iPod will not be detected.
- The spa wall structure must be strong enough and provide firm support for this PRODUCT. Reinforce spa panel structure if necessary before installing this PRODUCT.
- iPod is a trademark of Apple Inc., registered in the U.S. and other countries.
- Gecko Alliance Group shall not be liable for any incidental, special or consequential cost or damages incurred by the purchaser or others, including without limitation, damages for lost profits, goodwill, interruption of business, or any other injury or damage not expressly covered under this limited warranty, including any device connected to this PRODUCT. However, this limitation on consequential damages shall not apply to damages for injury to the person.



iPod compatibility chart

- iPod touch (all models)
- iPod classic
- iPod nano (all models)
- iPod mini (all models)
- iPod video (all models)
- iPod photo (all models)
- iPod (third generation (firmware 2.2 and up) and all recent models)

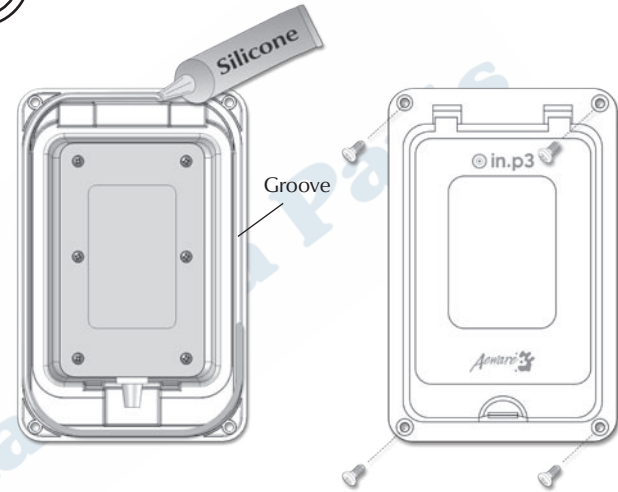




Step 1

Using the drilling template supplied with the unit, determine the mounting location and then stick the template on the location.

Once the desired location is established, cut and remove the inside area on the template.



Step 2

If the installation location is not perfectly even (e.g. wood surface), make a silicone joint between the installation location and the unit (fill the groove on the back of the unit with silicone).

Insert unit into the installation opening.

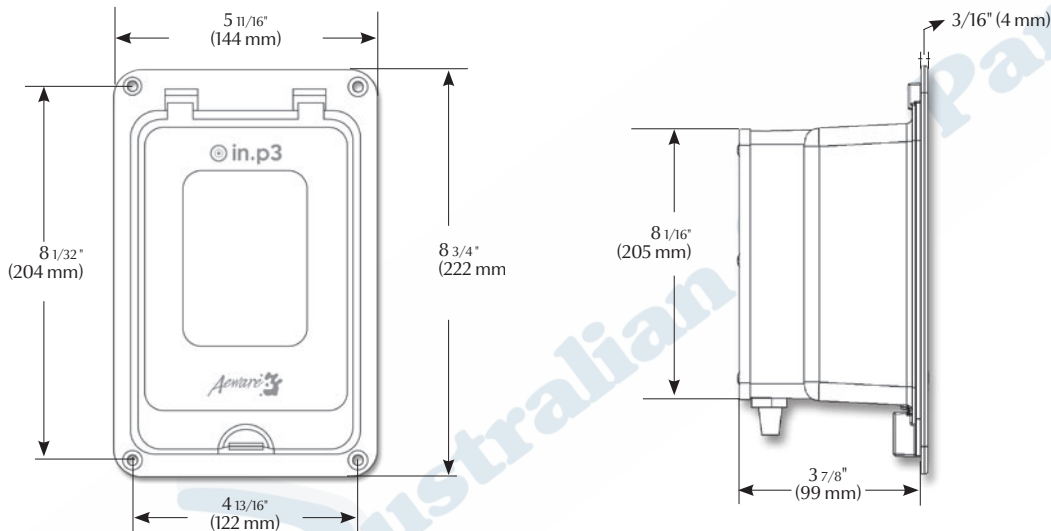
Step 3

Then drill four $1/8"$ (3 mm) mounting holes in the exact position according to the drilling template.

Use 4 - # 10 screws of the appropriate length with round, truss or pan head.



in.p3 dimensions



Warning!

The minimum recommended height to install the in.p3 unit is at least 4" above the flooding zone. It's strongly recommended to install the in.p3 unit as high as possible to facilitate user accessibility.

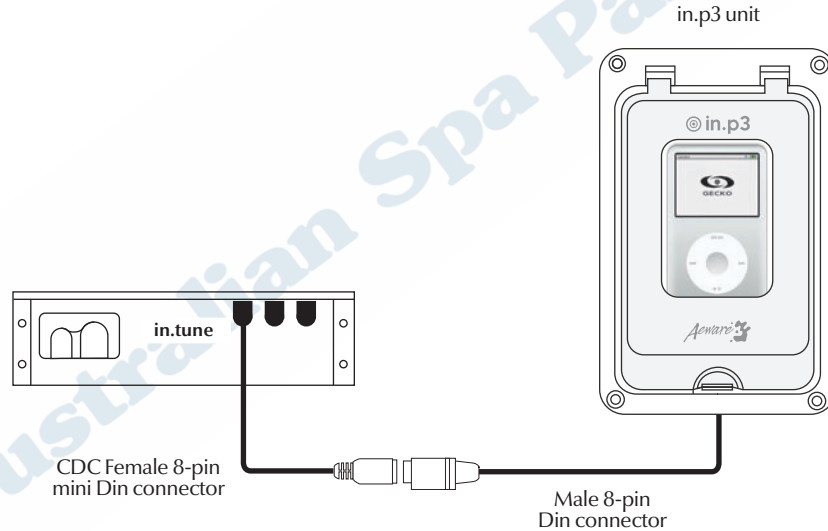
Carefully select the installation location making sure to avoid pipes, electrical wiring and other equipment when installing the in.p3 unit.



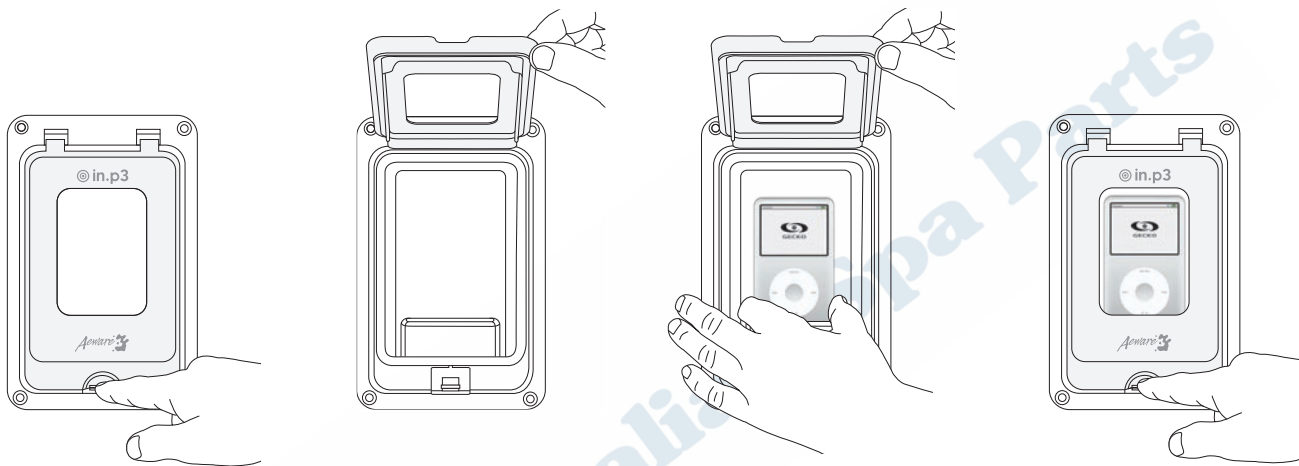
in.p3 to in.tune CDC cable connector

Controlling the in.p3

The in.p3 unit can be controlled from the in.tune player, the IRMT-4 remote control, as well as from the in.k600, in.k455 and in.k155 keypads.



Note: It's not possible to directly control the iPod once connected to the in.p3 docking connector.



The iPod turns on automatically as soon as it's connected to in.p3 docking connector*. Power to the iPod is turned off when the iPod is removed from the docking connector. Gecko Alliance's logo and the note "Ok to disconnect" will be displayed on the iPod display when it's connected to the docking connector (the message displayed may vary depending on the model).

* A minimum battery charge level is required. Refer to page 7 for more details.

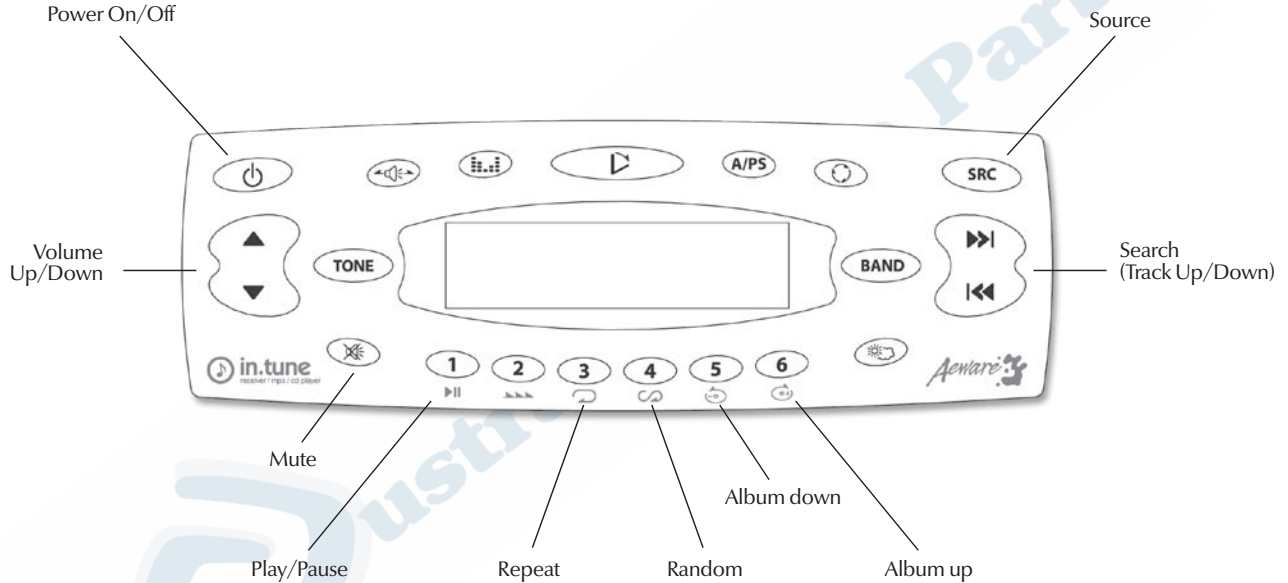
- Press downwards on bottom latch to release the door open.
- Open door compartment.
- Place your iPod inside and insert it on the docking connector.
- Close door.

Battery charge

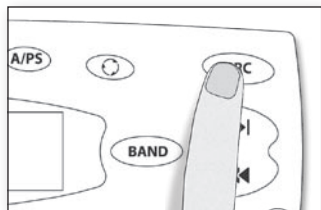
The in.p3 unit also acts as an automatic recharging docking station for your iPod, it allows the owner/spa user to attach the iPod to the charging station and recharge the batteries while enjoying the music.



in.tune description



Note: see in.tune manual for complete instructions

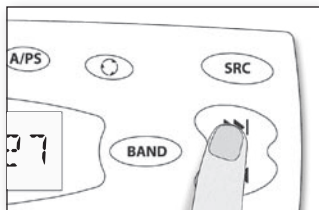


Selecting CDC mode SRC

The iPod is controllable from the in.tune player head unit in CDC mode. Placing the in.tune player in CDC mode and connecting the iPod to the in.p3 docking connector, will allow the user to access the music stored in the iPod.

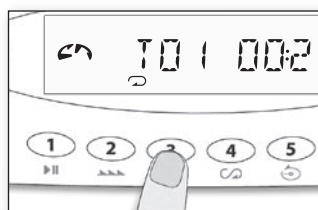
Select **Power** to turn in.tune on.

Press **SRC** repeatedly until CDC mode is displayed.



Track up or down

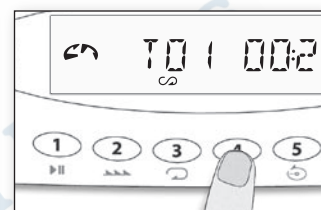
To change music track, simply press **Track Up** or **Track Down**.



Repeat play 3

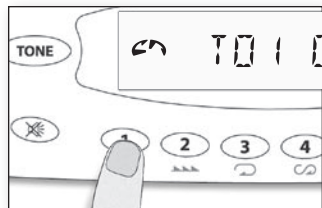
A quick press of the **Repeat** key will play a song repeatedly.

Press and hold the **Repeat** key for 3 secs. to repeat all songs of the current album.



Shuffle Play 4

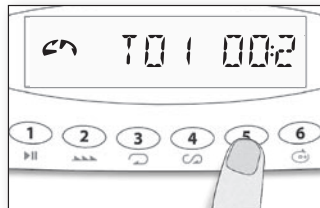
Press **Random** key to play song tracks randomly.



Play /Pause ► 1

To pause the playing of a song, press Play/Pause key once.

Press Play/Pause key again to resume play.



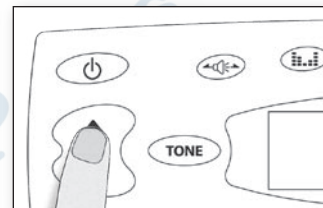
Selecting album down ◀ 5

Select ◀ to skip to the previous album stored in the iPod.



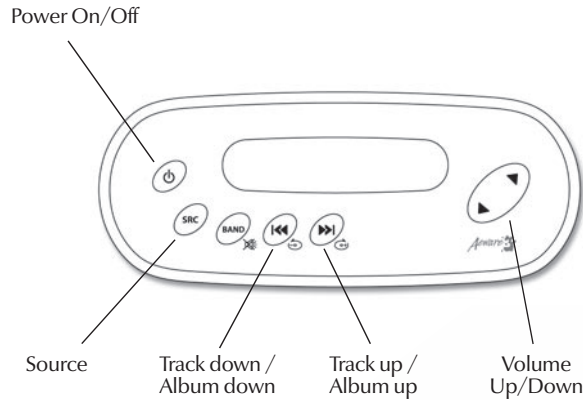
Selecting album up ▶ 6

Select ▶ to skip to the next album stored in the iPod.

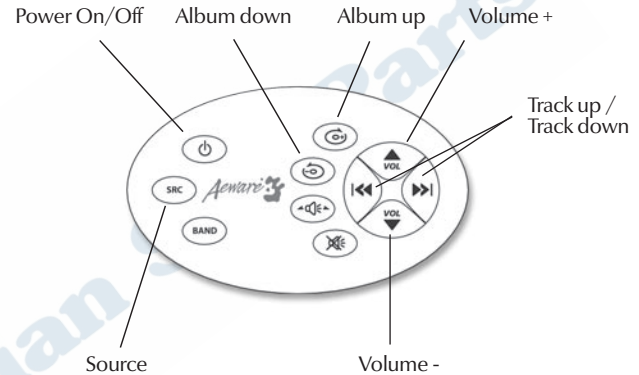


Volume up or down ▲▼

Press Volume up or down to increase or decrease volume.



Optional in.k455
wired remote control with display



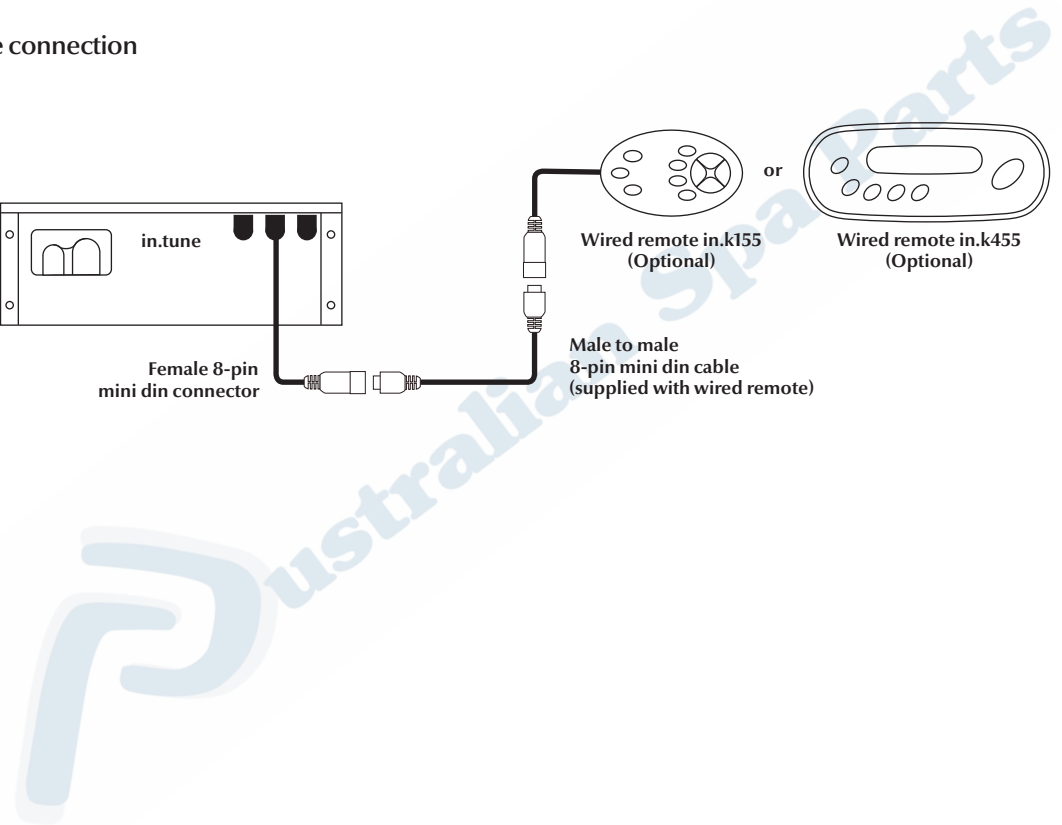
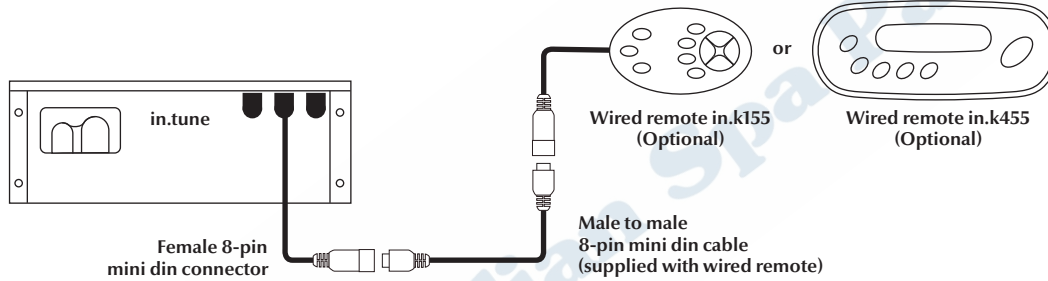
Optional in.k155
wired remote control

- Press **Power** key to turn in.tune on.
- Select **SRC** repeatedly to select CDC mode.
- Quick press **Album down** key to skip to the previous album stored on the iPod (with the in.k455 press and hold key for 3 secs.)

- Quick Press **Album up** key to skip to the next album stored on the iPod (with the in.k455 press and hold key for 3 secs).
- Quick press **Track up / down** keys to skip to the next/previous track song on the iPod.
- Press **Volume up (+)** or **down (-)** to increase or decrease volume.



Wired remote connection



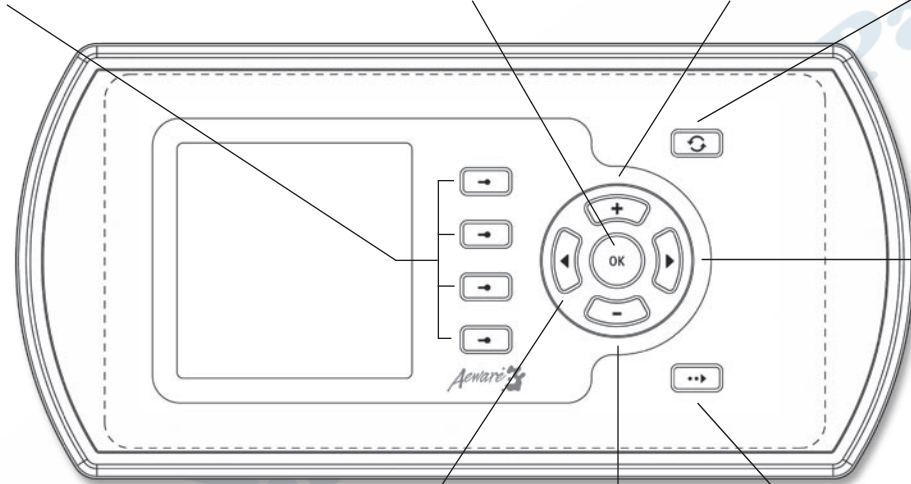


Multifunction Keys

"Ok" Key

"Plus" Key

"Mode" Key
selects mode of
operation: Spa, Audio,
and Options.



"Right"
Multifunction Key

"Left"
Multifunction Key

"Minus" Key

"Next" Key goes to
next menu page

Note: see in.k600 manual for complete instructions



Audio Mode

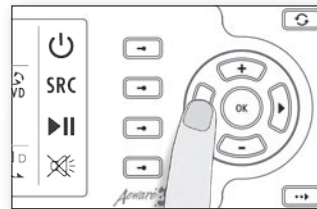
- Press **Mode** key.
- Select **Audio** mode.



Source SRC

In audio mode:

- Select repeatedly **SRC** until CDC mode is displayed.



Album up or down ◀ ▶

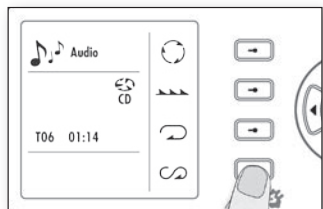
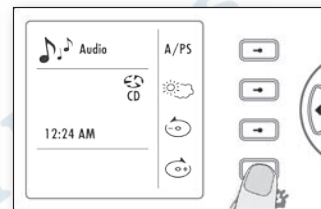
- Press **Mode** key.
- Select **Audio** mode.
- Select **SRC** repeatedly to select CDC mode.
- Press **▶** key to skip to the next track song.
- Press **◀** key to skip to the previous track song.



Repeat ↻

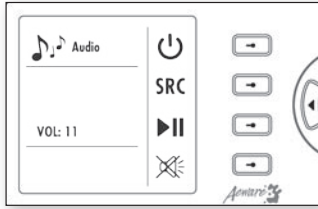
To play a song repeatedly:

- Press **Mode** key.
- Select **Audio** mode.
- Select **SRC** to select CDC mode.
- Press **Next** key repeatedly to display the next page in the audio menu.
- Select **Repeat**.

Random Track up or down Pause Changing albums 

In audio mode:

- Press **Mode** key.
 - Select **Audio** mode.
 - Select **SRC** to select CDC mode.
 - Press **Next** key repeatedly to display the next page in the audio menu.
 - Select **Random** to play song tracks randomly.
- Press **Mode** key.
 - Select **Audio** mode.
 - Select **SRC** to select CDC mode.
 - Press **Next** key repeatedly to display the next page in the audio menu.
 - Press **◀** or **▶** to change music tracks.
- Press **Mode** key.
 - Select **Audio** mode.
 - Select **SRC** to select CDC mode.
 - Press **Next** key repeatedly to display the next page in the audio menu.
 - Select **Pause** to pause the playing of a track song.
- Press **Mode** key.
 - Select **Audio** mode.
 - Select **SRC** to select CDC mode.
 - Press **Next** key repeatedly to display the next page in the audio menu.
 - Select **◀** or **▶** to skip to the next / previous album stored in the iPod.
 - Press **Next** key to go back to the main page in the audio menu.

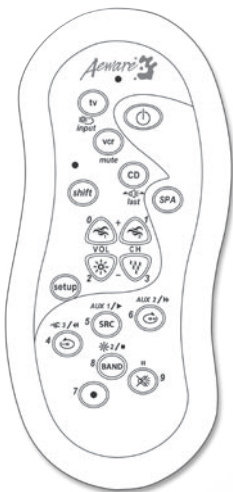


Volume Up or Down

In audio mode:

- Use **+** or **-** key to increase or decrease volume.

Australian Spa Parts



Sold separately

** Refer to the remote control (IRMT-4) instructions manual for detailed explanation on programming sequences.*

Key/Icon	Description
	When pressing a key, the red LED blinks to show that the remote control is working properly and sending signals.
	Press Power to turn system on or off.
	Press VOL + or - to increase or decrease volume.
	CD mode: Press CH + or - to change music track.
	Select repeatedly SRC until CDC mode is displayed.
	Press to select Album down.
	Press to select Album up.

**General specifications:****Environmental:**

Operating temperature: -20°C (-4°F) to 50°C (122°F)

Storage temperature: -30°C (-22°F) to 60°C (140°F)

Humidity: up to 80% RH, non condensing

Mechanical:

Weight: 0.7 kg (1.6 lbs)

Dimensions (W x H x D):

144mm x 222mm x 99mm (5-11/16" x 8-3/4" x 3-7/8")

Standards:

UL 1563 Fifth Ed.

CSA No. 22.2 - 218.1-M89



Advanced electronics! Water resistance!



Aeware 3
by gecko

Gecko Alliance

450 des Canetons, Quebec City (QC) G2E 5W6 Canada, 1.800.78.GECKO
9225 Stellar Court, Corona, CA 92883 USA, 951.667.2000

www.geckoalliance.com

9919-100779
Rev. 01/08

iPod is a trademark of Apple Inc., registered in the U.S. and other countries.

